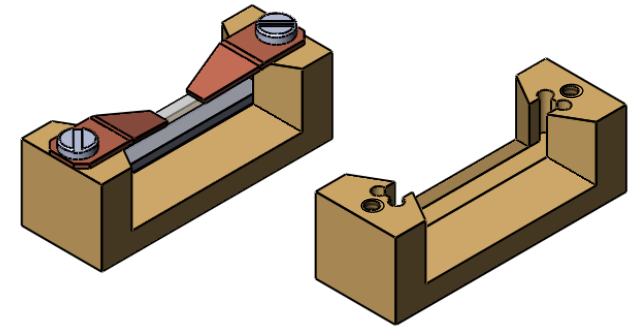
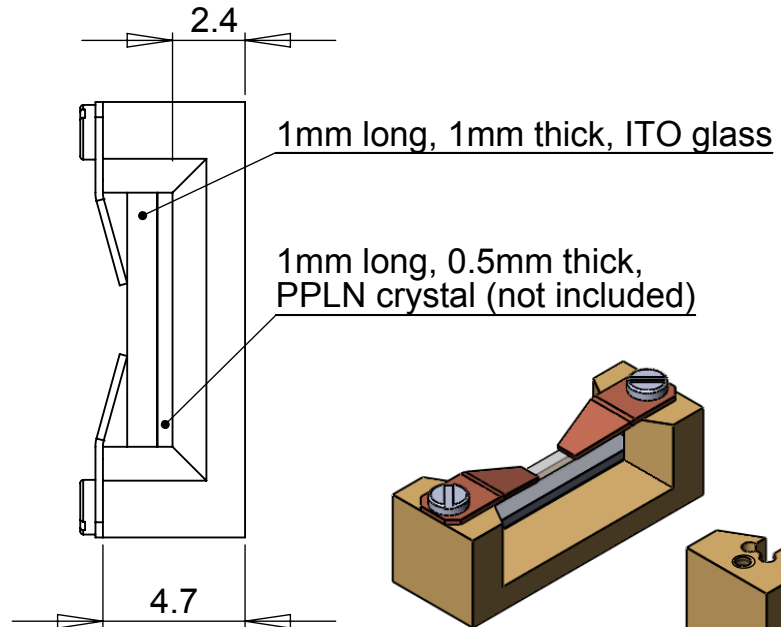
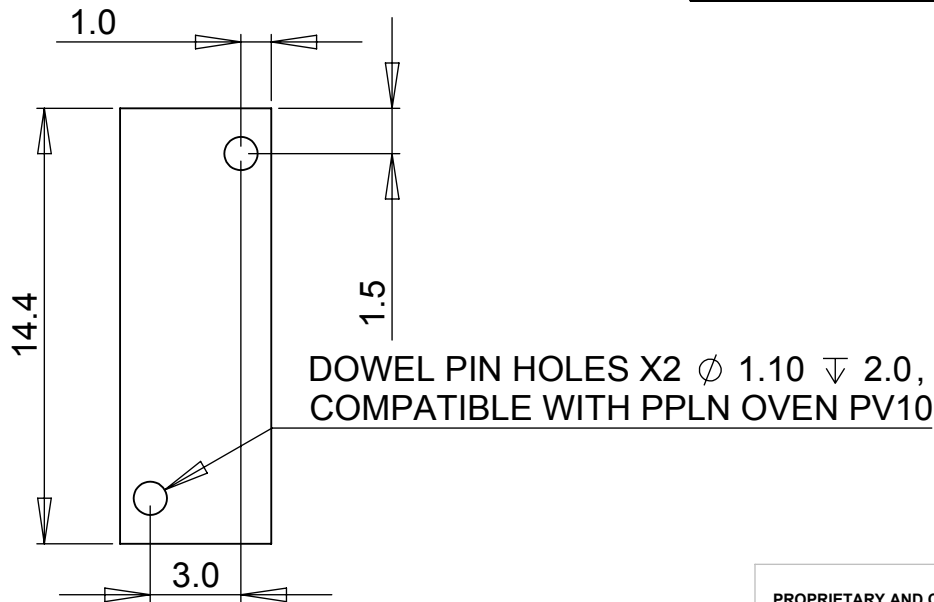


PC01 unmounted clip



NOTES:

- CLIP KITS INCLUDE:
1-MOUNT BASE
2-SPRINGS
2-SCREWS
1-GLASS SPACER
- THE CLIP KIT IS DESIGNED TO HOLD PPLN CRYSTALS OF 0.5mm TO 1.0mm THICKNESS, WITH A 1.0mm TYP LENGTH.
- PPLN CRYSTALS ARE VERY DELICATE. CARE MUST BE TAKEN WHEN SECURING INTO MOUNT.



OUTLINE DRAWING
NOT FOR MANUFACTURE

UNLESS OTHERWISE SPECIFIED:

DIMENSIONS ARE IN MILLIMETRES
WHERE NOT STATED, DIMENSIONS
ARE TAKEN TO BE SYMMETRICAL

TOLERANCES:
N/A

MATERIAL N/A

FINISH N/A

DO NOT SCALE DRAWING

TITLE: 1mm Crystal Clip



SIZE DWG. NO.

A

PC01

REV

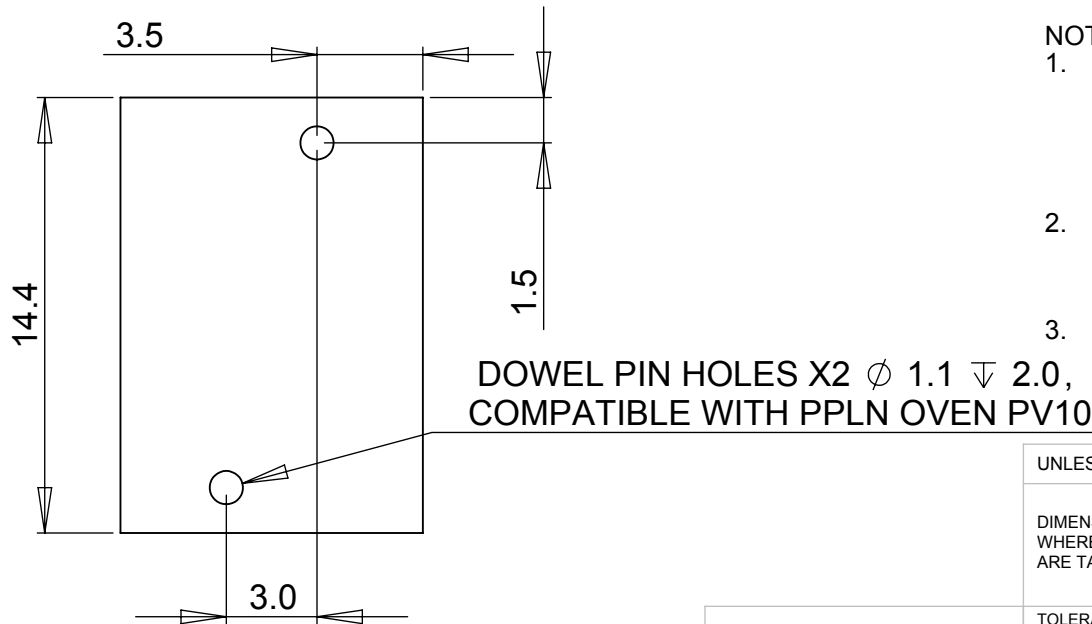
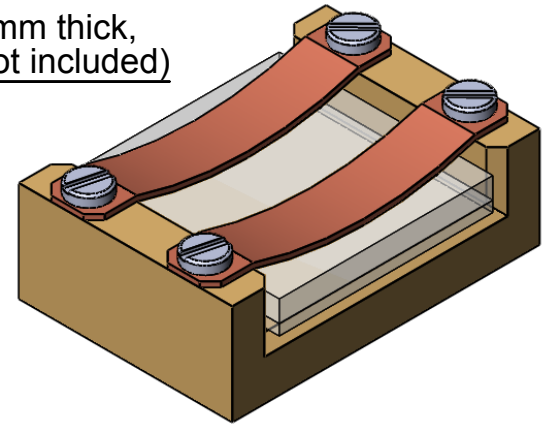
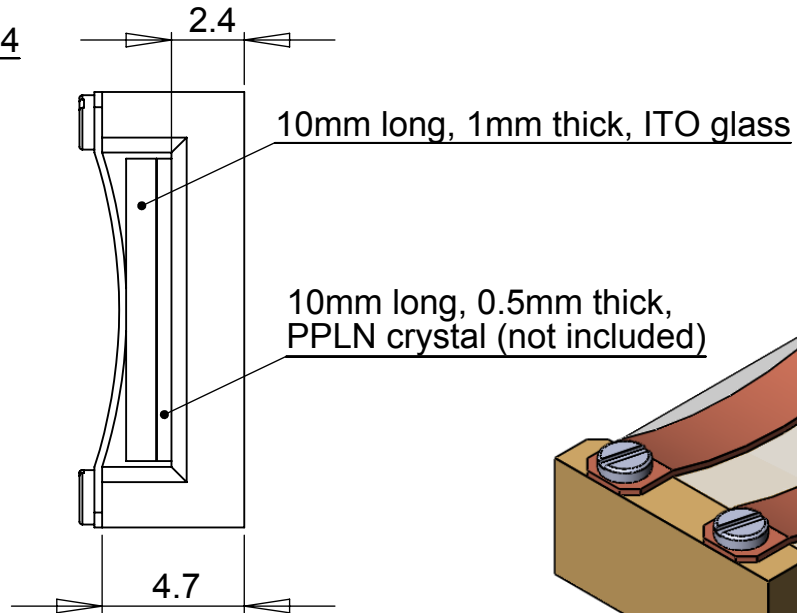
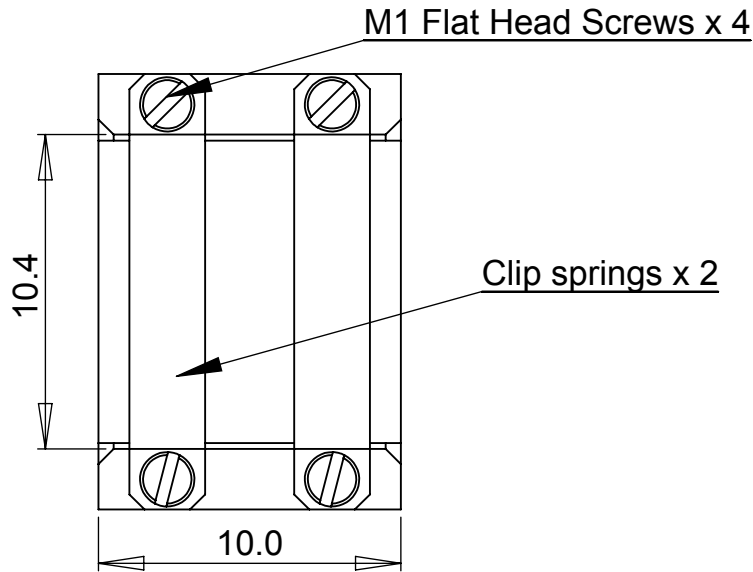
1.1

SCALE: 4:1

03/08/2011

PROPRIETARY AND CONFIDENTIAL

THE INFORMATION CONTAINED IN THIS DRAWING IS THE SOLE PROPERTY OF COVESION LTD. ANY REPRODUCTION IN PART OR AS A WHOLE WITHOUT THE WRITTEN PERMISSION OF COVESION LTD. IS PROHIBITED.



NOTES:

- CLIP KITS INCLUDE:
1-MOUNT BASE
2-SPRINGS
4-SCREWS
1-GLASS SPACER
- THE CLIP KIT IS DESIGNED TO HOLD PPLN CRYSTALS OF 0.5mm TO 1.0mm THICKNESS, WITH A 10.0mm TYP LENGTH.
- PPLN CRYSTALS ARE VERY DELICATE. CARE MUST BE TAKEN WHEN SECURING INTO MOUNT.

**OUTLINE DRAWING
NOT FOR MANUFACTURE**

PROPRIETARY AND CONFIDENTIAL

THE INFORMATION CONTAINED IN THIS DRAWING IS THE SOLE PROPERTY OF COVESION LTD. ANY REPRODUCTION IN PART OR AS A WHOLE WITHOUT THE WRITTEN PERMISSION OF COVESION LTD. IS PROHIBITED.

UNLESS OTHERWISE SPECIFIED:

DIMENSIONS ARE IN MILLIMETRES WHERE NOT STATED, DIMENSIONS ARE TAKEN TO BE SYMMETRICAL

TOLERANCES:
N/A

MATERIAL N/A

FINISH N/A

DO NOT SCALE DRAWING

TITLE: 10mm Crystal Clip



SIZE DWG. NO.

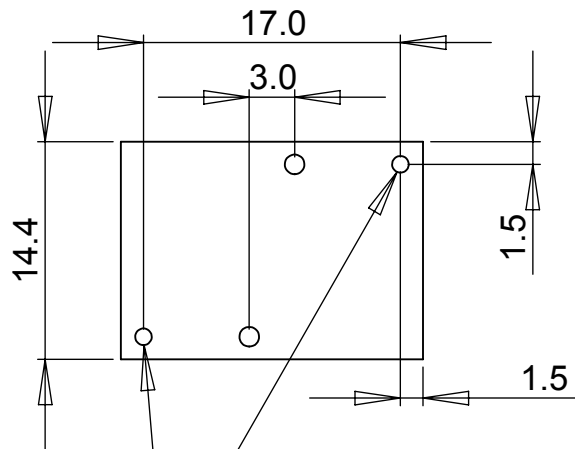
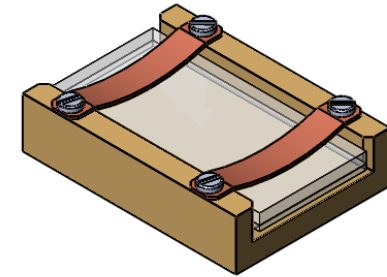
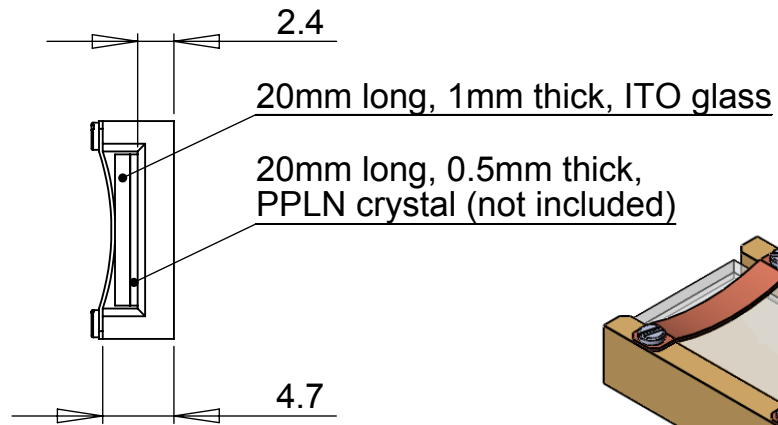
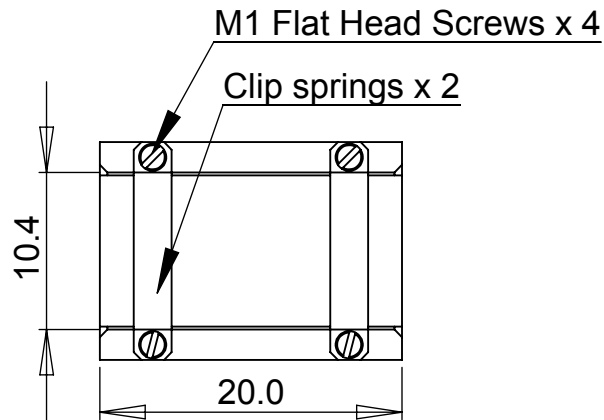
PC10

REV

1.1

SCALE: 4:1

03/08/2011



∅ 1.10 ∇ 2.0,
LOCATING DOWEL PIN HOLES,
COMPATIBLE WITH PPLN OVEN PV20

NOTES:

- CLIP KITS INCLUDE:
1-MOUNT BASE
2-SPRINGS
4-SCREWS
1-GLASS SPACER
- THE CLIP KIT IS DESIGNED TO HOLD PPLN CRYSTALS OF 0.5mm TO 1.0mm THICKNESS, WITH A 20.0mm TYP LENGTH.
- PPLN CRYSTALS ARE VERY DELICATE. CARE MUST BE TAKEN WHEN SECURING INTO MOUNT.

OUTLINE DRAWING
NOT FOR MANUFACTURE

PROPRIETARY AND CONFIDENTIAL

THE INFORMATION CONTAINED IN THIS DRAWING IS THE SOLE PROPERTY OF COVESION LTD. ANY REPRODUCTION IN PART OR AS A WHOLE WITHOUT THE WRITTEN PERMISSION OF COVESION LTD. IS PROHIBITED.

UNLESS OTHERWISE SPECIFIED:

DIMENSIONS ARE IN MILLIMETRES WHERE NOT STATED, DIMENSIONS ARE TAKEN TO BE SYMMETRICAL

TOLERANCES:
N/A

MATERIAL N/A

FINISH N/A

DO NOT SCALE DRAWING

TITLE: 20mm Crystal Clip



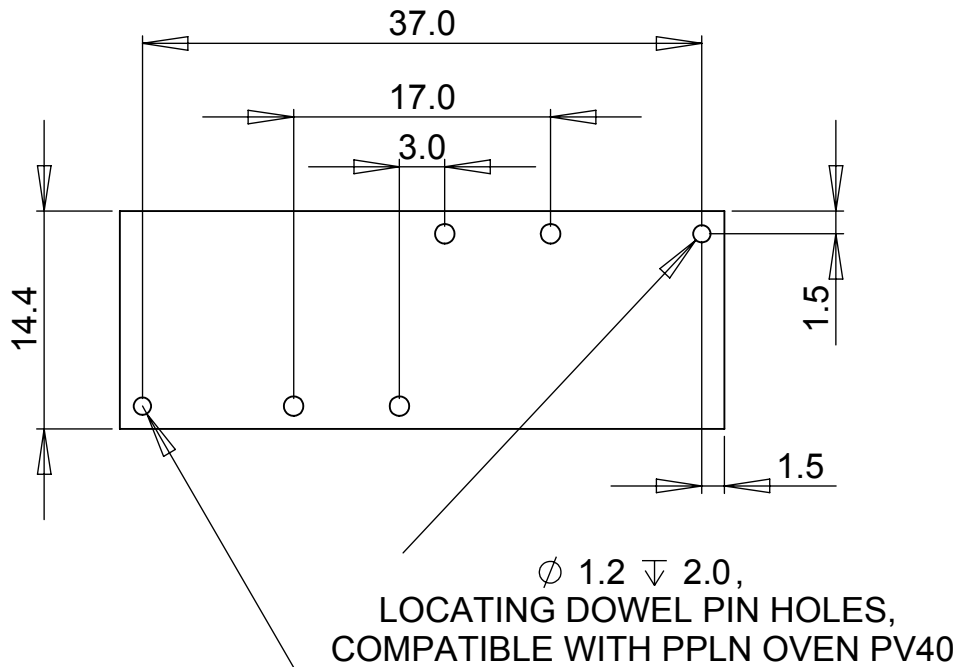
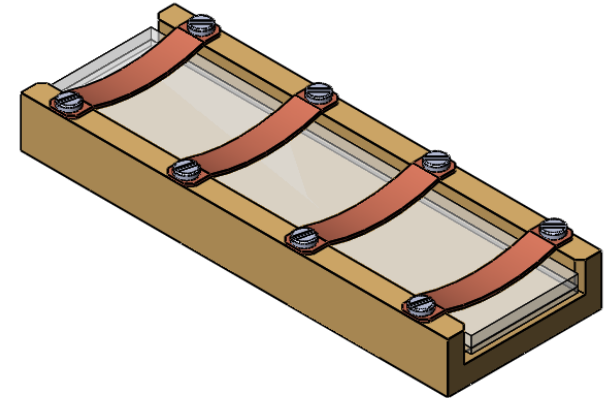
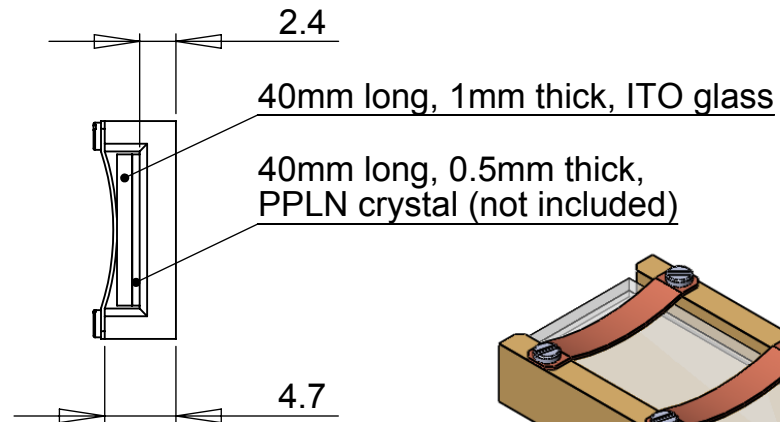
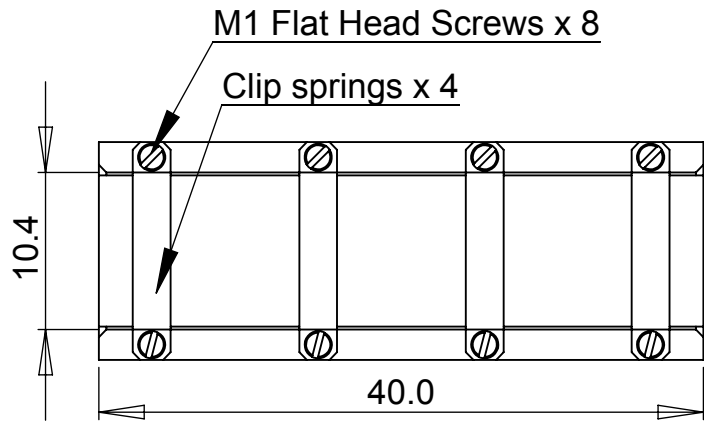
SIZE DWG. NO.

A PC20

REV

1.1

SCALE: 2:1 03/08/2011




NOTES:

1. CLIP KITS INCLUDE:
 1-MOUNT BASE
 4-SPRINGS
 8-SCREWS
 1-GLASS SPACER
2. THE CLIP KIT IS DESIGNED TO HOLD PPLN CRYSTALS OF 0.5mm TO 1.0mm THICKNESS, WITH A 40.0mm TYP LENGTH.
3. PPLN CRYSTALS ARE VERY DELICATE. CARE MUST BE TAKEN WHEN SECURING INTO MOUNT.

**OUTLINE DRAWING
NOT FOR MANUFACTURE**

PROPRIETARY AND CONFIDENTIAL

THE INFORMATION CONTAINED IN THIS DRAWING IS THE SOLE PROPERTY OF COVESION LTD. ANY REPRODUCTION IN PART OR AS A WHOLE WITHOUT THE WRITTEN PERMISSION OF COVESION LTD. IS PROHIBITED.

UNLESS OTHERWISE SPECIFIED:		TITLE: 40mm Crystal Clip	
DIMENSIONS ARE IN MILLIMETRES WHERE NOT STATED, DIMENSIONS ARE TAKEN TO BE SYMMETRICAL			
TOLERANCES: N/A			
MATERIAL	N/A	SIZE DWG. NO.	REV
FINISH	N/A	A PC40	1.1
DO NOT SCALE DRAWING		SCALE: 2:1	03/08/2011